

THIS DRAWING IS UNPUBLISHED.


RELEASED FOR PUBLICATION

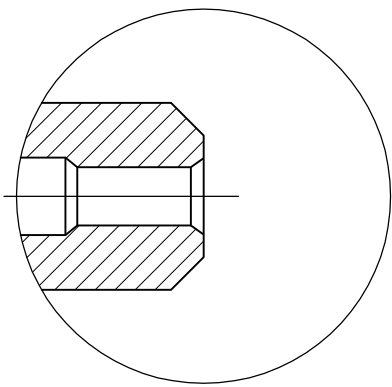
© COPYRIGHT - BY TYCO ELECTRONICS CORPORATION.

ALL RIGHTS RESERVED.

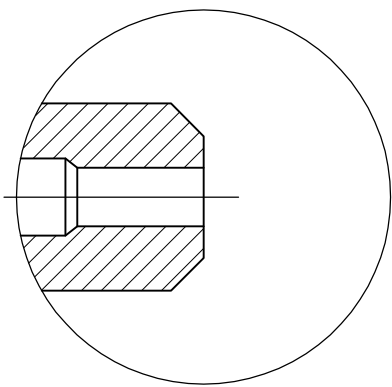
LOC	DIST	REVISIONS			
P	LTR	DESCRIPTION	DATE	DWN	APVD
H	-	A	INITIAL RELEASE	06 JAN 06	RC JE
		A1	REVISED PER ECO-09-024927	09NOV09	KK AEG

NOTES:

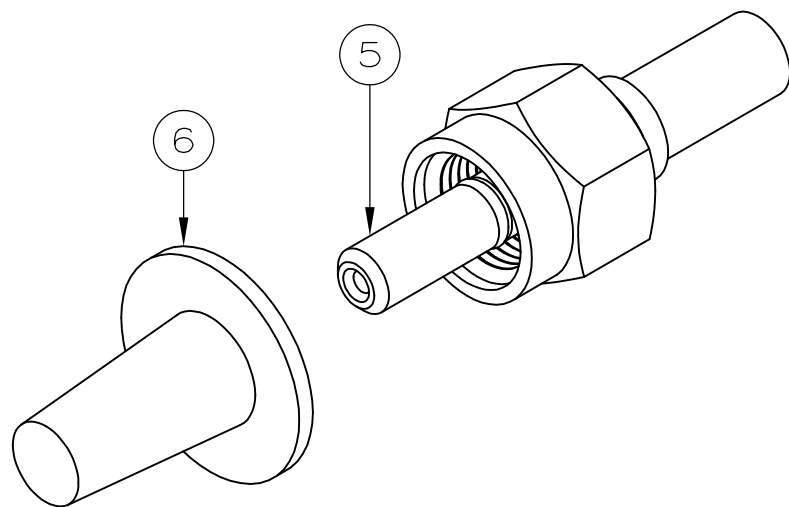
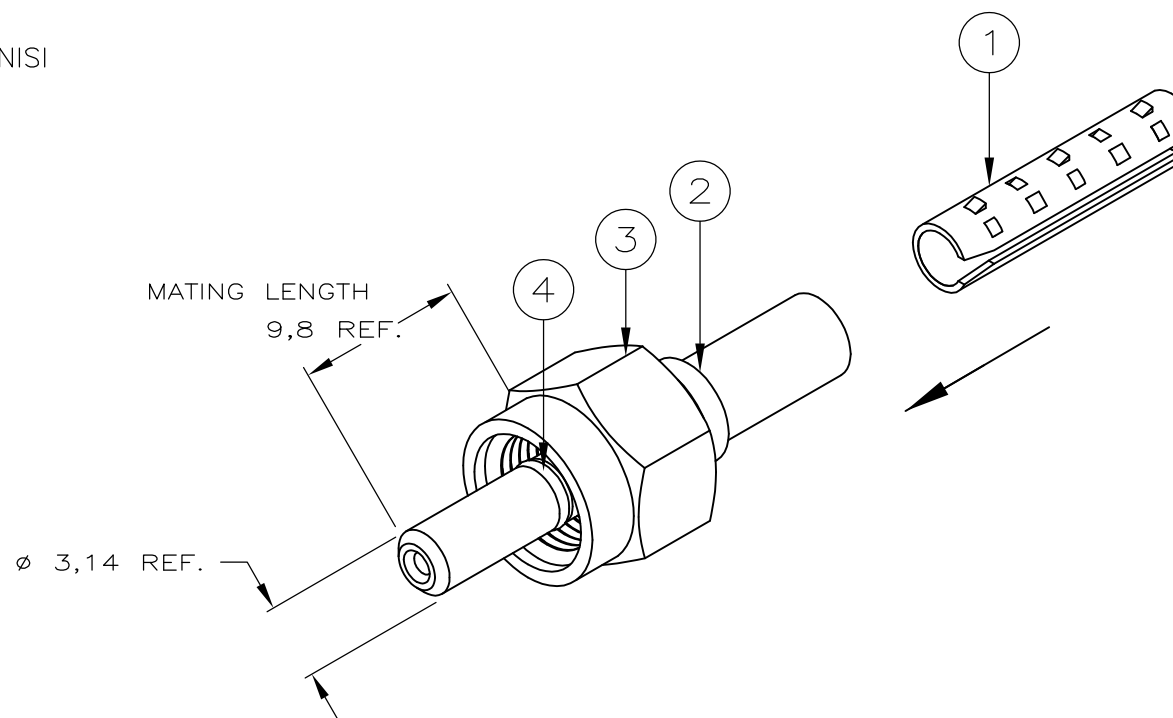
- ITEM 1 PRE-ASSEMBLED INTO ITEM 5
- REMOVE BURRS AND BREAK SHARP EDGES
- INSTRUCTION SHEET 411-19280
- PRODUCT SPECIFICATION 108-19087
-  OBSOLETE PARTS: OBSOLETE CIS STREAMLINING PER D.RENAUD/D.SINISI




-3, -4  FOR MELTING PROCEDURE



-5, -6  FOR POLISHING PROCEDURE



OBSOLETE 

QTY	QTY	QTY	QTY	DESCRIPTION	ITEM
1	1	1	1	DUST COVER	6
1	1	-	-	FSMA BODY (FOR POLISHING)	5
-	-	1	1	FSMA BODY (FOR MELTING)	
1	-	1	-	FRONT SEAL	4
1	1	1	1	COUPLING NUT	3
1	1	1	1	CRESCENT RING	2
1	1	1	1	RETENTION CLIP	1
-6	-5	-4	-3		ITEM

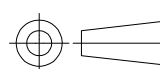
THIS DRAWING IS A CONTROLLED DOCUMENT.

DWN R. COOLEN 06 JAN 06
 CHK A. HENGELMOLEN 06 JAN 06
 APVD J. ELENBAAS 06 JAN 06

Tyco Electronics
 Tyco Electronics Nederland BV
 's-Hertogenbosch, Netherlands

DIMENSIONS:

mm



TOLERANCES UNLESS OTHERWISE SPECIFIED:

0 PLC ± -
 1 PLC ± -
 2 PLC ± -
 3 PLC ± -
 4 PLC ± -
 ANGLES ± 0', 30'

MATERIAL

FINISH

PRODUCT SPEC -
 APPLICATION SPEC -
 WEIGHT -

NAME FSMA CONNECTOR FOR PLASTIC FIBER STYLE I
 SIZE A3 CAGE CODE 00779 DRAWING NO C-5215803 RESTRICTED TO -

CUSTOMER DRAWING SCALE NTS SHEET 1 OF 1 REV A1